



4000 Series Inverted Bucket Steam Trap

All Stainless Steel With IS-4 Connector

For Pressures to 45 bar...Capacities to 590 kg/hr

Steam Trapping and Steam Tracing Equipment

Description

With the 4000 Series IS-4 connector, you can install 4-bolt compatible inverted bucket efficiency and long service life in any piping configuration with little or no repiping. You get the reliability of the inverted bucket operating principle, plus all the benefits of all-stainless steel construction:

- A sealed, tamperproof package
- A compact, lightweight trap
- The ability to withstand freeze-ups without damage
- Exceptional corrosion resistance
- A three-year guarantee against defective materials, defective workmanship.

4000 Series steam traps combine savings in three important areas: energy, installation and replacement. The 4-bolt connector provides quick, easy in-line replacement along with all the proven advantages of inverted bucket operation.

Maximum Operating Conditions

Maximum allowable pressure (vessel design):

Model IB4011:	28 bar @ 427°C
Model IB4022:	45 bar @ 315°C
	43 bar @ 371°C
	41 bar @ 427°C

Maximum operating pressure:

Model IB4011:	28 bar
Model IB4022:	45 bar

Connections

- Screwed NPT
- Socketweld
- Flanged (consult factory)

Materials

Body:	ASTM-A 240 Grade 304L
Internals:	All stainless steel—304
Valve and seat:	Hardened chrome steel—17-4PH or Titanium
Connector body:	ASTM A351 Gr. CF8M

Options

- Stainless steel pop drain for Models 4011/4022
- Probe connection for Models 4011/4022
- Wiggle wire

Connector Styles

- Standard with strainer
- With strainer blowdown valve
- With block/bleed valves

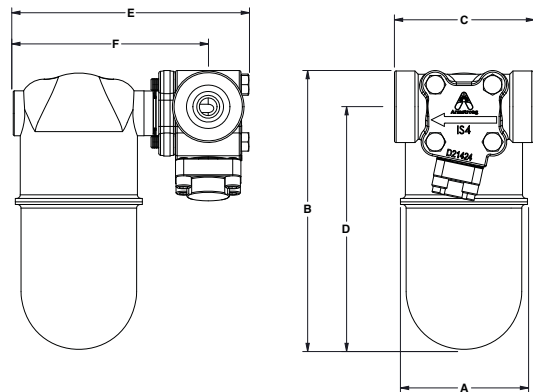
Specification

Inverted bucket steam trap, type ... in all stainless steel, freeze resistant, with 360° universal connector, having continuous air venting at steam temperature, free-floating stainless steel mechanism, and orifice at the top of the trap.

How to Order

Specify:

- Model number
- Size and type of pipe connection
- Maximum working pressure that will be encountered or orifice size
- Any options required



Model IB4022 Trap With IS-4 Connector

Table ST-114-1. 4000 Series Traps With Standard IS-4 Connector

Model No.	IB4011		IB4022	
	mm	mm	mm	mm
Pipe Connections	20	25	20	25
"A" (Diameter)	68	68	98	98
"B" (Height)*	176	176	221	221
"C" (Face to Face)	108	108	108	108
"D" (Bottom to \varnothing)*	152	152	197	197
"E" (Outside to Bolt)	156	156	186	186
"F" (\varnothing to Outside)	125	125	156	156
Weight kg	3,5		4,9	

*Add 15 mm to "B" and "D" dimensions when optional probe connection is required.

All dimensions and weights are approximate. Use certified print for exact dimensions. Design and materials are subject to change without notice.

Armstrong International SA • Parc Industriel des Hauts-Sarts (2^e Avenue) • 4040 Herstal • Belgium

Tel.: +32 (0)4 240 90 90 • Fax: +32 (0)4 240 40 33

www.armstronginternational.eu • info@armstronginternational.eu

4000 Series Inverted Bucket Steam Trap

All Stainless Steel With IS-4 Connector

For Pressures to 45 bar...Capacities to 590 kg/hr



Steam Trapping and
Steam Tracing Equipment

Table ST-115-1. Model IB4011 Capacity

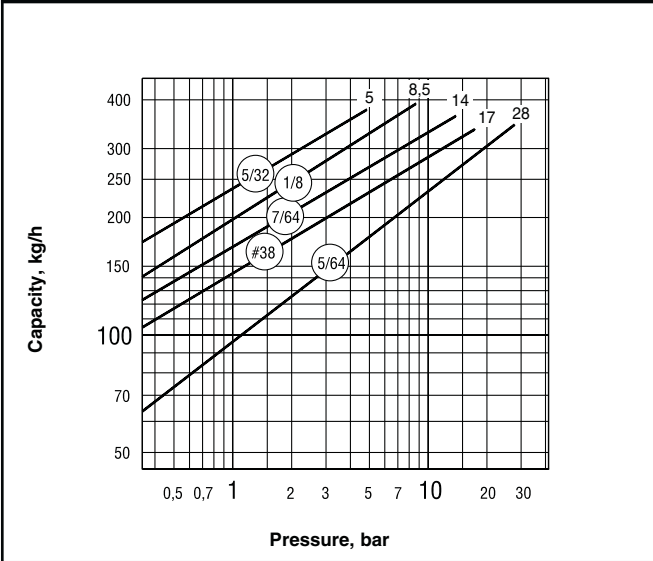
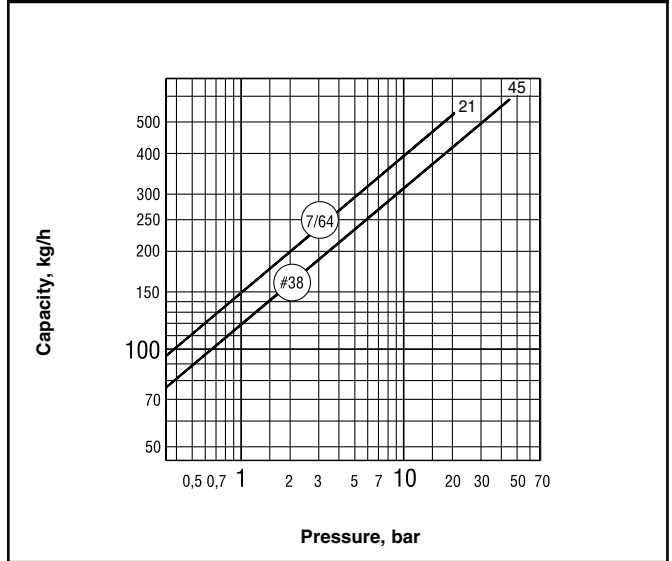


Table ST-115-2. Model IB4022 Capacity



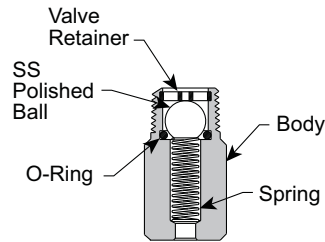
Options

Pop Drain for Freeze Protection

In general, a properly selected and installed Armstrong trap will not freeze as long as steam is coming to the trap. If the steam supply is shut off, a pop drain should be used to automatically drain the trap. Stainless steel pop drain available for Models 4011 and 4022.

Maximum Operating Conditions

Pressure: 41 bar
Temperature: 177°C



All dimensions and weights are approximate. Use certified print for exact dimensions. Design and materials are subject to change without notice.