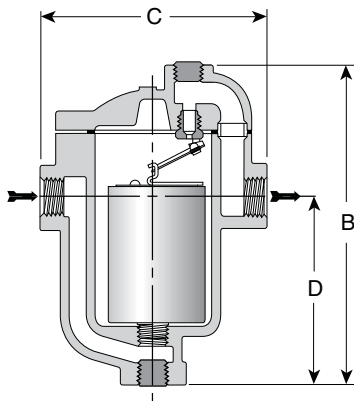


800-813 Series Inverted Bucket Steam Traps

Cast Iron for Horizontal Installation
For Pressures to 17 bar...Capacities to 2 000 kg/h

Steam Trapping and Steam Tracing Equipment



Description

The most reliable steam trap known – the inverted bucket – provides efficient condensate drainage of virtually all types of steam-using equipment. Put the inverted bucket to work in a tough cast iron package, and you have the best of both worlds. Because they operate efficiently for longer periods of time, Armstrong cast iron inverted buckets add solid energy savings to lower replacement/labor costs. All Armstrong cast iron inverted bucket steam traps are repairable for even bigger maintenance savings.

A unique leverage system multiplies the force provided by the bucket to open the valve against system pressure. The mechanism is free-floating, and has no fixed pivots to create wear or friction.

Because the mechanism is located at the top of the trap, no dirt can collect on the orifice. Small particles of dirt are held in suspension until discharged by the full differential purging action when the bucket sinks, pulling the valve off the seat.

The discharge orifice is surrounded by a water seal, preventing live steam loss. Automatic air venting is provided by a small vent hole in the bucket, which provides continuous automatic air and CO₂ venting at steam temperature.

Inverted bucket traps drain continuously, although discharging intermittently, allowing no condensate backup. They are also resistant to water hammer.

Maximum Operating Conditions

Maximum allowable pressure (vessel design)†:	17 bar @ 232°C
Maximum operating pressure:	Model 800: 10 bar Model 811-813: 17 bar
Maximum back pressure:	99% of inlet pressure

Connections

Screwed BSPT and NPT
Flanges ANSI (screw on) available on request

Table 80-1. 800-813 Series Side Inlet, Side Outlet Trap (dimensions in mm)
Add suffix «CV» to model number for internal check valve, «T» for thermic vent bucket.

Model No.	800*	811	812	813
Pipe Connections	1/2" – 3/4"	1/2" – 3/4" – 1"	1/2" – 3/4"	3/4" – 1"
Test plug	1/4"	1/4"	1/2"	3/4"
«B» Height	138	175	230	298
«C» Face-to-Face (screwed)	127	127 – 127 – 133	165	197
«D» Bottom to C Inlet	70	108	137	179
Number of Bolts	6			
Weight in kg	2,3	2,7	6,8	12,5

* Cannot be furnished with both thermic vent bucket and check valve.
All models comply with the article 3.3 of the PED (97/23/EC).
† May be derated depending on flange rating and type.

Materials

Body:	ASTM A48 Class 30
Internals:	All stainless steel – 304
Valve and seat:	Stainless Steel 17-4PH
Test plug:	Carbon steel

Options

- Stainless steel internal check valve
- Thermic vent bucket
- Stainless steel pop drain
- Thermo drain
- Scrub wire

Specification

Inverted bucket steam trap, type ... in cast iron, with continuous air venting at steam temperature, free-floating stainless steel mechanism, and discharge orifice at the top of the trap. Maximum allowable back pressure 99% of inlet pressure.

How to Order

- Specify:
- Model number
 - Size and type of pipe connection
 - Maximum working pressure or orifice size
 - Any options required

All dimensions and weights are approximate. Use certified print for exact dimensions. Design and materials are subject to change without notice.

800-813 Series Inverted Bucket Steam Traps

Cast Iron for Horizontal Installation

For Pressures to 17 bar...Capacities to 2 000 kg/h



Steam Trapping and
Steam Tracing Equipment

Table 81-1. Model 800 Capacity

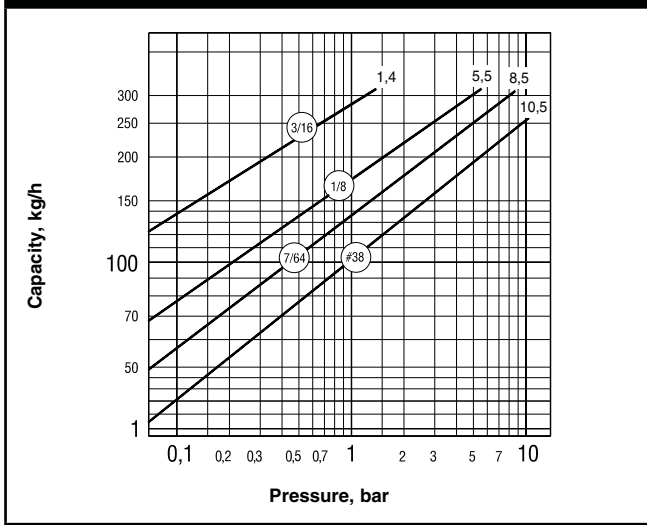


Table 81-2. Model 811 Capacity

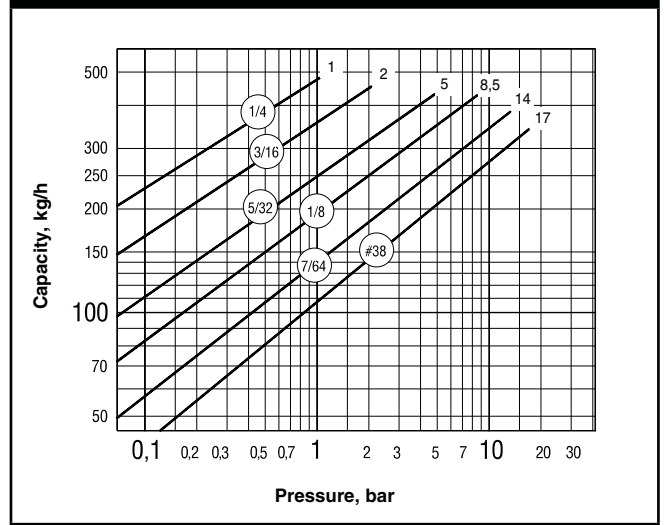


Table 81-3. Model 812 Capacity

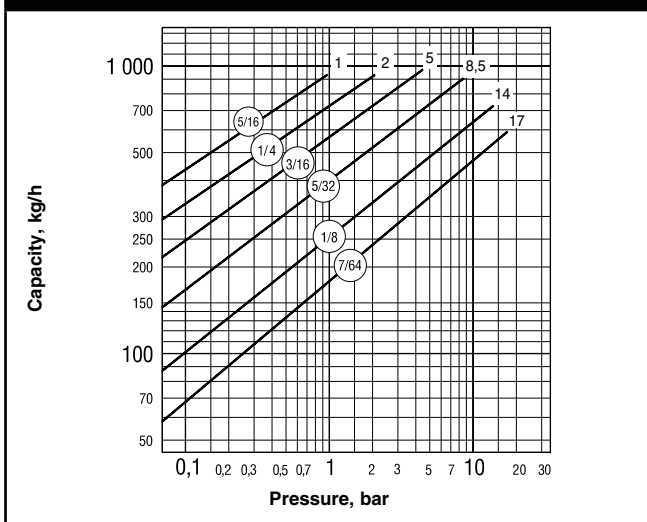
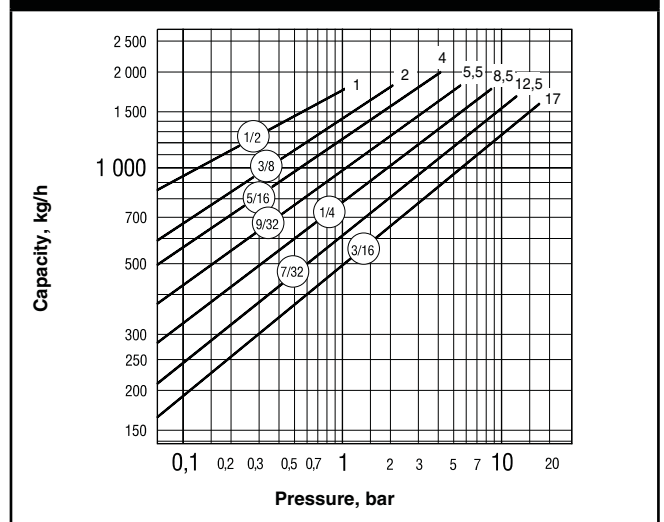


Table 81-4. Model 813 Capacity



All dimensions and weights are approximate. Use certified print for exact dimensions. Design and materials are subject to change without notice.

Armstrong International SA • Parc Industriel des Hauts-Sarts (2^e Avenue) • 4040 Herstal • Belgium

Tel.: +32 (0)4 240 90 90 • Fax: +32 (0)4 240 40 33

www.armstronginternational.eu • info@armstronginternational.eu