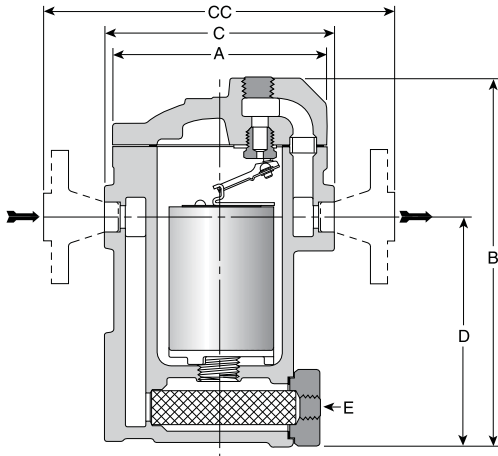




980 Series Inverted Bucket Steam Traps

Cast Steel for Horizontal Installation, with Integral Strainer
For Pressures to 41 bar...Capacities to 2 000 kg/h

Steam Trapping and Steam Tracing Equipment



Description

Armstrong offers two sizes of cast steel traps with in-line horizontal pipe connections and integral strainers with a choice of screwed, socketweld or flanged connections.

A unique leverage system multiplies the force provided by the bucket to open the valve against system pressure. The mechanism is free-floating, and has no fixed pivots to create wear or friction.

Because the mechanism is located at the top of the trap, no dirt can collect on the orifice. Small particles of dirt are held in suspension until discharged by the full differential purging action when the bucket sinks, pulling the valve off the seat.

The discharge orifice is surrounded by a water seal, preventing live steam loss. Automatic air venting is provided by a small vent hole in the bucket, which provides continuous automatic air and CO₂ venting at steam temperature.

Inverted bucket traps drain continuously, although discharging intermittently, allowing no condensate backup. They are also resistant to water hammer.

Maximum Operating Conditions

Maximum allowable pressure (vessel design)†: 41 bar @ 343°C
Maximum operating pressure: 41 bar
Maximum back pressure: 99% of inlet pressure

Connections

Screwed BSPT and NPT
Socketweld
Flanged DIN or ANSI (welded)

Materials

Body: ASTM A216 WCB
Internals: All stainless steel – 304
Valve and seat: Stainless Steel 17-4PH (<35 bar)
Titanium (>35 bar)
Strainer: Stainless steel – 304
Test plug: Carbon steel

Options

- Stainless steel internal check valve
- Thermic vent bucket 17 bar maximum
- Scrub wire

Specification

Inverted bucket steam trap, type ... in cast steel, with continuous air venting at steam temperature, free-floating stainless steel mechanism, integral strainer, and discharge orifice at the top of the trap. Maximum allowable back pressure 99% of inlet pressure.

How to Order

- Specify:
- Model number
 - Size and type of pipe connection. When flanges are required, specify type of flange in detail
 - Maximum working pressure that will be encountered or orifice size
 - Any options required

Table ST-90-1. 980 Series Side Inlet, Side Outlet Trap with Integral Strainer (dimensions in mm)

Model No.	981	983
Pipe Connections	15 – 20	20 – 25
Test plug	1/2"	3/4"
"A" Flange Diameter	114	184
"B" Height	219	313
"C" Face-to-Face (screwed & SW)	137	197
"CC" Face-to-Face (flanged PN40*)	196 – 194	282
"D" Bottom to \varnothing Inlet	122	193
"E" Blowdown Connection	3/8"	3/4"
Weight in kg (screwed & SW)	5,2	19,5
Weight in kg (flanged PN40*)	7,0	26,0

* Other flange sizes, ratings and face-to-face dimensions are available on request.

Shade indicates products that are CE Marked according to the PED (97/23/EC). All the other models comply with the Article 3.3 of the same directive.

† May be derated depending on flange rating and type.

All dimensions and weights are approximate. Use certified print for exact dimensions. Design and materials are subject to change without notice.

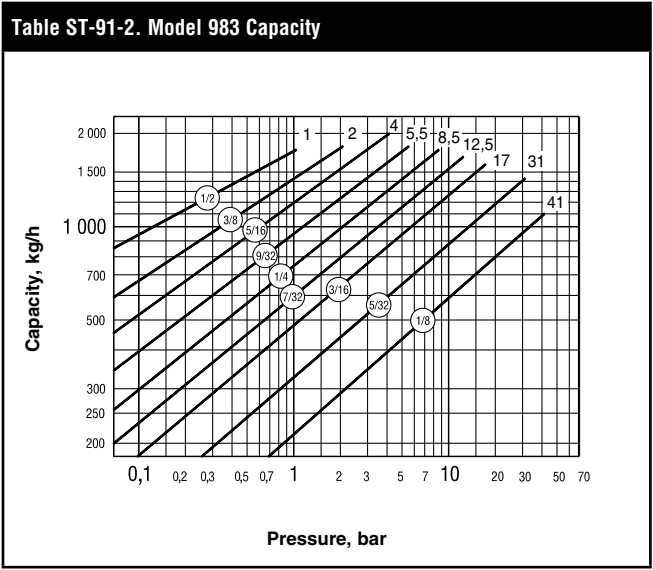
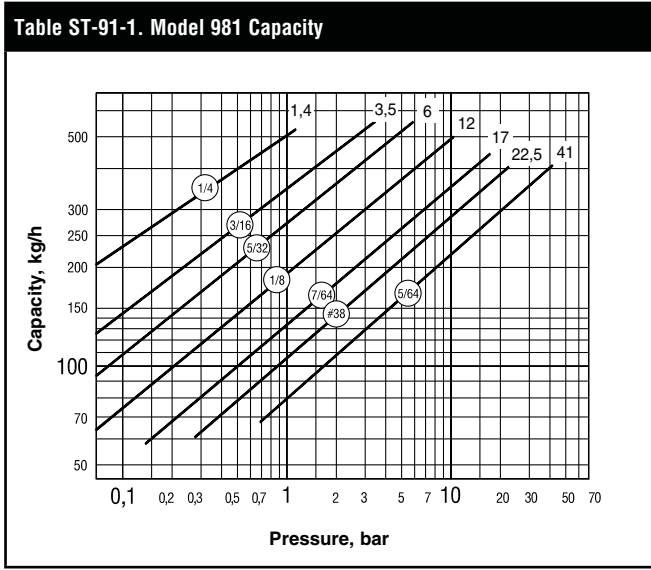
Armstrong International SA • Parc Industriel des Hauts-Sarts (2^e Avenue) • 4040 Herstal • Belgium

Tel.: +32 (0)4 240 90 90 • Fax: +32 (0)4 240 40 33

www.armstronginternational.eu • info@armstronginternational.eu

980 Series Inverted Bucket Steam Traps

Cast Steel for Horizontal Installation, with Integral Strainer
For Pressures to 41 bar...Capacities to 2 000 kg/h



Steam Trapping and
Steam Tracing Equipment

All dimensions and weights are approximate. Use certified print for exact dimensions. Design and materials are subject to change without notice.