

Adapts to outdoors

Optional rain guard insulating cap available to prevent excessive radiant heat loss in outside applications.

Extended life

Three discharge port design offers stable disc operation to extend trap operating life.

Durable

Hardened stainless steel integral seat and disc for long operating life.

Connections

Available in 1/2", 3/4", 1" screwed.

Corrosion resistance

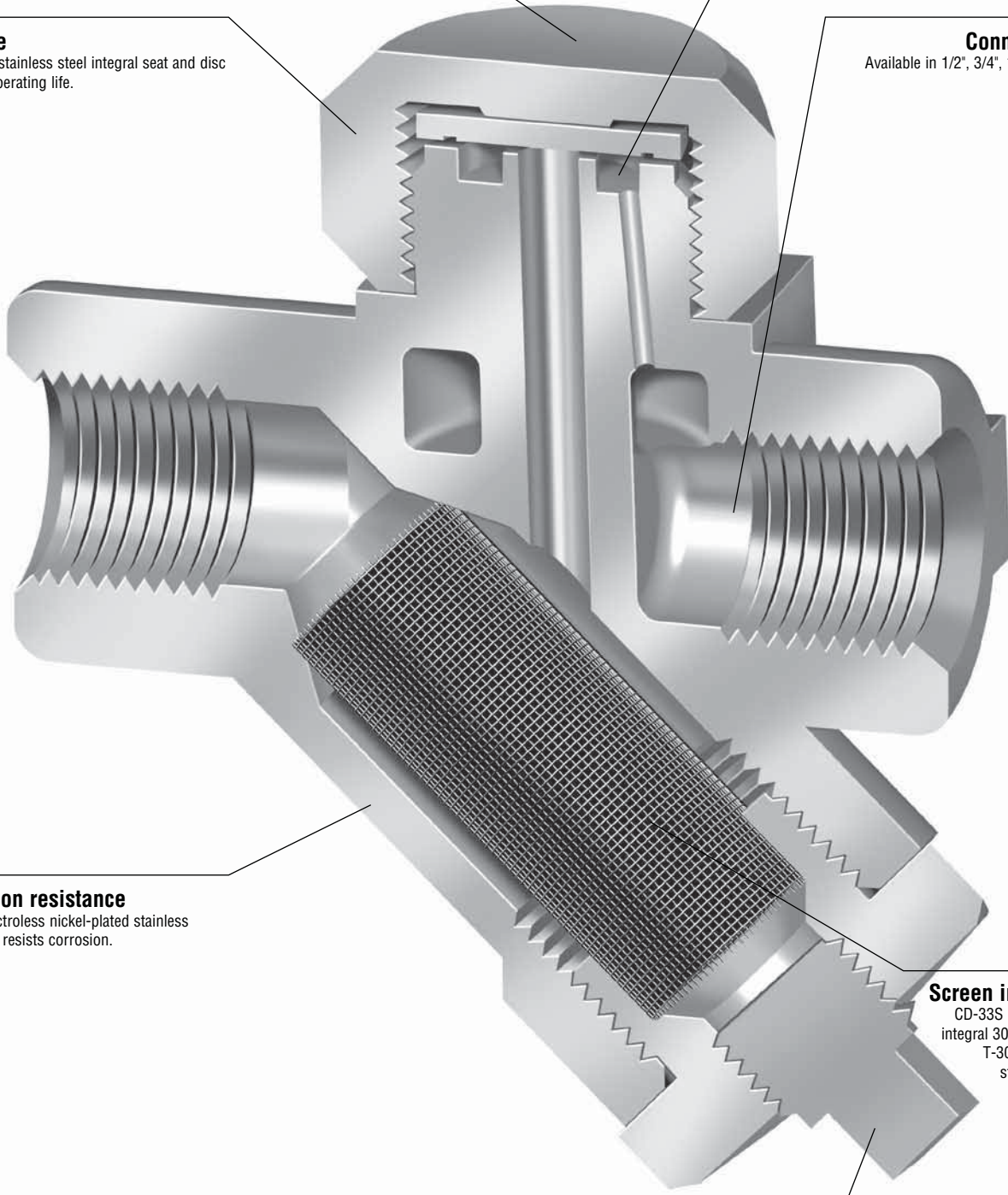
Tough electroless nickel-plated stainless steel body resists corrosion.

Screen included

CD-33S includes an integral 30 x 30 mesh T-304 stainless steel screen.

Blowdown choice

Blowdown plug standard. Blowdown valve available as an option.



Steam Trapping and Steam Tracing Equipment

CD-33/CD-33S Controlled Disc Steam Traps

The Armstrong CD-33 is a controlled disc style trap designed to control the trap's cycle rate. By reducing the cycle rate, the Armstrong CD-33 will have a longer service life than typical disc traps. This enhanced performance will ensure that maintenance time is minimized and steam costs are greatly reduced.

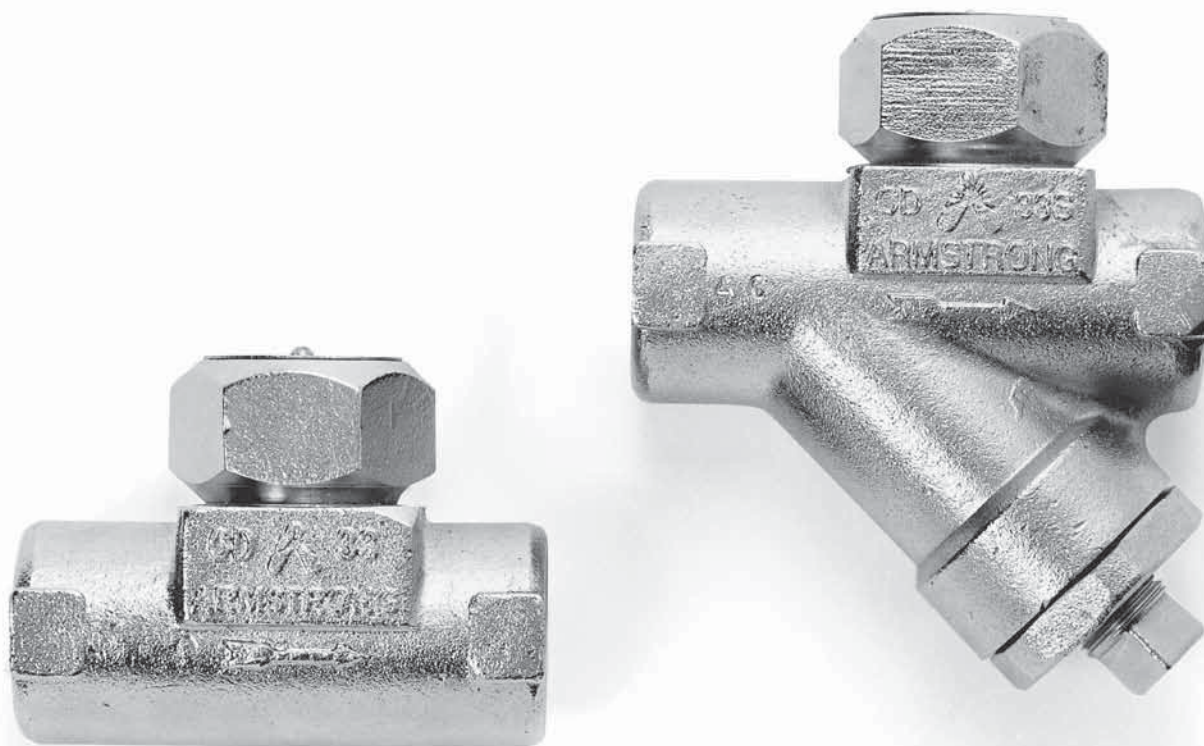
The CD-33 is designed with three discharge ports, which offer stable disc operation to extend trap operating life. The capacities of the Armstrong CD-33 have been engineered specifically for the following applications: large steam main drips, process equipment, and HVAC heating equipment on constant pressure. The CD-33L (low capacity) trap is designed for the low capacity applications of steam main drips and steam tracing lines. By ensuring that the capacities are designed to suit the application, and are not oversized, the CD-33 Series will last longer than other disc traps with excessive capacity ratings.

Advantages

- Three discharge port design
- Minimum wear with controlled cycling
- Freeze-resistant
- Hardened seat and disc

Specification

Steam trap shall be stainless steel controlled disc type, integral seat design with hardened disc and seating surfaces, and electroless nickel plated finish. When required, trap shall be supplied with an integral Y strainer, integral blowdown valve or rain guard insulating cap. Maximum allowable pressure (vessel design) shall be 63 bar @ 400°C. Maximum operating pressure shall be 42 bar @ 400°C.

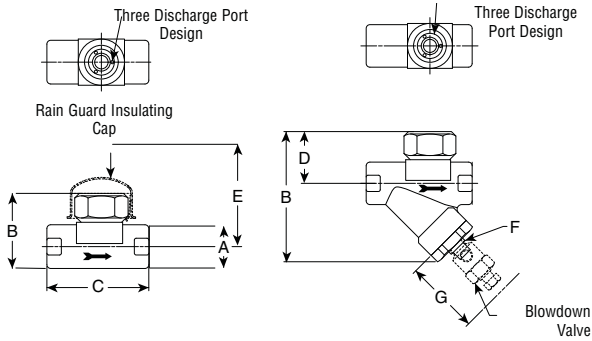




CD-33 Series Controlled Disc Steam Traps

All Stainless Steel
For Pressures to 41 bar...Capacities to 1 130 kg/h

Steam Trapping and Steam Tracing Equipment



CD-33/CD-33L Series

CD-33S/CD-33SL Series with Integral Strainer

The Armstrong CD-33 is a controlled disc style trap designed to control the trap's cycle rate. By reducing the cycle rate, the Armstrong CD-33 will have a longer service life than typical disc traps. This enhanced performance will ensure that maintenance time is minimized and steam costs are greatly reduced.

The CD-33 is designed with three discharge ports, which offer stable disc operation to extend trap operating life. The capacities of the Armstrong CD-33 have been engineered specifically for the following applications: large steam main drips, process equipment, and HVAC heating equipment on constant pressure. The CD-33L (low capacity 1/2" and 3/4" only) trap is designed for the low capacity applications of steam main drips and steam tracing lines. By ensuring that the capacities are designed to suit the application, and are not oversized, the CD-33 Series will last longer than other disc traps with excessive capacity ratings.

Connections

Screwed BSPT and NPT

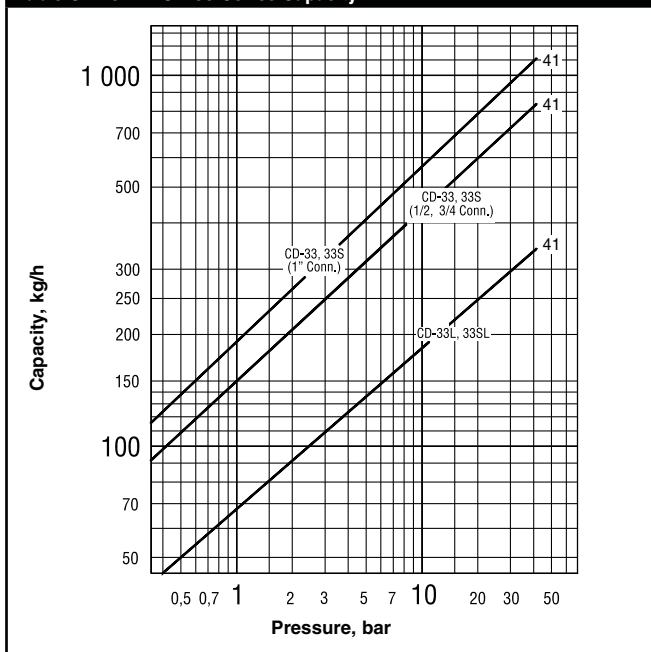
Specification

Steam trap shall be stainless steel controlled disc type, integral seat design with hardened disc and seating surfaces, and electroless nickel plated finish. When required, trap shall be supplied with an integral Y strainer, integral blowdown valve or rain guard insulating cap. Maximum allowable pressure (vessel design) shall be 63 bar @ 400°C. Maximum operating pressure shall be 41 bar @ 252°C.

Table ST-162-1. List of Materials

Name of Part	Material
Body	ASTM A743 Gr. CA40
Cap	ASTM A743 Gr. CA40
Disc	ASTM A276 Gr. 420
Strainer Screen	30 x 30 Mesh T-304 Stainless Steel
Screen Retainer	ASTM A743 Gr. CA40
Blowdown Plug (CD-33S only)	Carbon Steel
Options	
Blowdown Valve	Stainless Steel
Rain Guard Insulating Cap (1/2", 3/4" Sizes Only)	Stainless Steel

Table ST-162-2. CD-33 Series Capacity



Note: CD traps can operate with minimum of 0,15 bar inlet pressure and a maximum of 80% back pressure. However, for best results, inlet pressure should not drop below 0,70 bar and back pressure should not exceed 50% of inlet pressure.

Table ST-162-3. CD-33 Series Trap (dimensions in mm)

Model No.	CD-33		CD-33S (with strainer)		CD-33L (low capacity)	CD-33SL (with strainer) (low capacity)
	15 - 20	25	15 - 20	25	10 - 15 - 20	15 - 20
Pipe Connections	15 - 20	25	15 - 20	25	10 - 15 - 20	15 - 20
«A» Body Diameter	37	44	37	44	37	37
«B» Height	63	79	108	121	63	108
«C» Face-to-Face (screwed)	84	100	90	105	84	90
«D» C to Top of Cap	44	57	44	57	44	44
«E» Withdrawal Distance Rain Guard Insulating Cap	—	—	76	76	—	76
«F» Blowdown Connection Size	—	—	1/4" NPT	1/4" NPT	—	1/4" NPT
«G» Withdrawal Distance Blowdown Valve	—	—	89	89	—	89
Weight in kg	0,64	1,1	1,0	1,5	0,64	1,0
Maximum Allowable Pressure	63 bar @ 400°C					
Minimum Operating Pressure	0,24 bar					
Maximum Operating Pressure	41 bar @ 252°C					

All models comply with the article 3.3 of the PED (97/23/EC).

All dimensions and weights are approximate. Use certified print for exact dimensions. Design and materials are subject to change without notice.