



FF-4000 Series Free Float and Thermostatic Steam Trap

All Stainless Steel

For Pressures to 17 bar... Capacities to 1476 kg/hr

Steam Trapping and Steam Tracing Equipment

Description

With the FF-4000 Series' 360° universal connector, you can install a free float and thermostatic trap to fit any piping configuration. You get the reliability of the free float and thermostatic design plus all the benefits of all-stainless steel construction.

- A sealed, tamperproof package
- A compact, lightweight trap
- Exceptional corrosion resistance
- A three-year guarantee against defective materials and workmanship

FF-4000 Series Free Float and Thermostatic steam traps combine savings in three important areas: energy, installation and replacement. Mounting the FF-4000 on universal connectors provide quick and easy in-line replacement.

Maximum Operating Conditions

Maximum allowable pressure (vessel design):

- Model FF-4250 20,7 bar @ 343°C
- Model FF-4450 41,4 bar @ 427°C

Maximum operating pressure:

- Model FF-4250 17 bar @ 343°C
- Model FF-4450 31 bar @ 427°C

Materials

- Body: ASTM A240 Grade 304L
- Internals: All stainless steel-304
- Ball seat: Stainless Steel
- Float: Stainless Steel
- Air Vent: Bimetal

360° Universal Connector Styles

- Standard 2-bolt connector
- IS-2 connector with integral strainer and optional blowdown valve
- Trap Valve Station

How to order

- Specify model number
- Size and type of pipe connection, style of 360° universal connector.



FF-4250 with TVS-4000

Table ST-138-2. Model FF-4000 Series Capacities

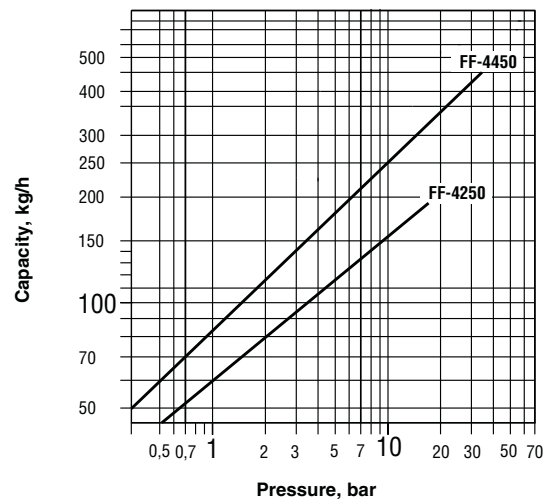
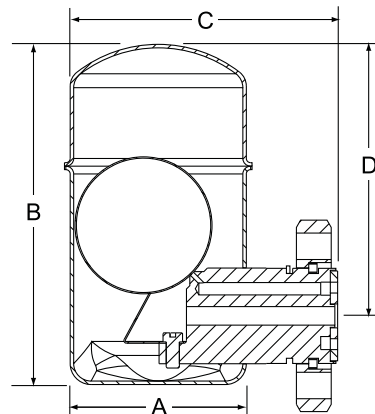


Table ST-138-1. FF-4000 Series

Model No.	FF-4250	FF-4450
Pipe Connection	15, 20	15, 20
	mm	mm
"A" Diameter	68	98
"B" Height	124	157
"C" Outside to Flange "D"	98	125
"D" C Flange to Top	102	125
Trap Only Weight, lb (kg)	0,9	1,8



All dimensions and weights are approximate. Use certified print for exact dimensions. Design and materials are subject to change without notice.

Armstrong International SA • Parc Industriel des Hauts-Sarts (2^e Avenue) • 4040 Herstal • Belgium

Tel.: +32 (0)4 240 90 90 • Fax: +32 (0)4 240 40 33

www.armstronginternational.eu • info@armstronginternational.eu