

### For Steam Service

The GP-2000L is a high performance, externally piloted reducing valve for large capacity and low inlet pressure requirements. The GP-2000L is reliable and accurate (+/-1% of pressure set point from 5% to 100% of flow) over a long, trouble-free service life. Hardened stainless steel working

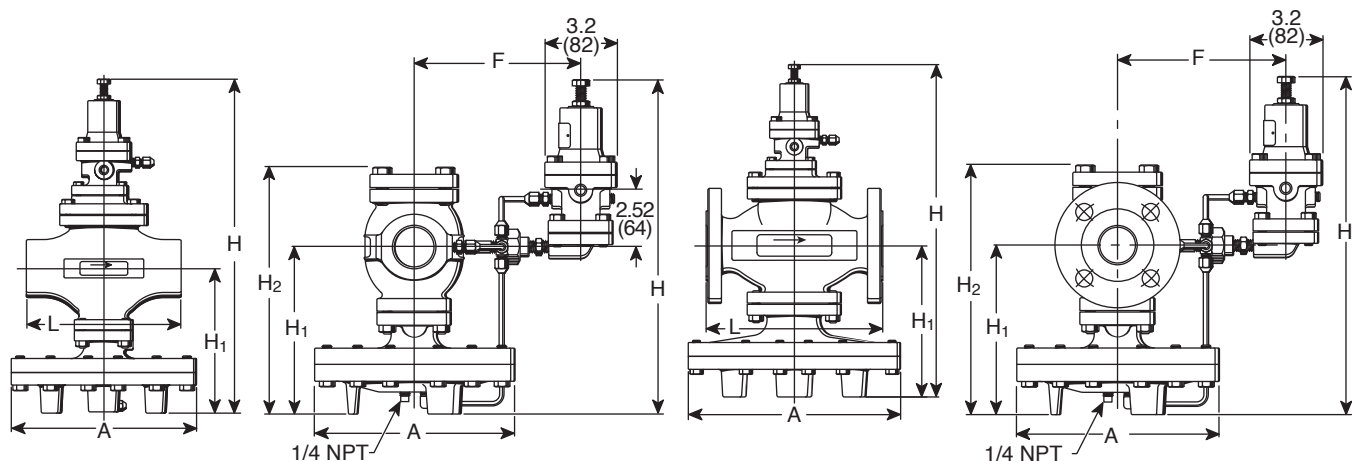
parts are renewable in-line. Single seated for dead-end service. Available with both NPT (1/2" - 2") and flanged connections in 2" - 4" sizes.

GP-2000L Specifications						Materials				
Application	Inlet Pressure psig (bar)	Reduced Pressure psig (bar)	Spring Color	Maximum Temperature °F (C)	Minimum Differential psig (bar)	Body	Main Valve/Seat	Pilot Valve/Seat	Diaphragm	Color
						Steam	5 - 15 (.3 - 1)	2 - 12 (.13 - .8)	Yellow	450 (232)

GP-2000L Dimensions and Weights																							
Size	Face-to-Face "L"				A		F		H Integral		H Remote		H <sub>1</sub>		H <sub>2</sub>		Weight				C <sub>v</sub>		
	NPT		150#														NPT		150#				
	in	mm	in	mm	in	mm	in	mm	in	mm	in	mm	in	mm	in	mm	lb	kg	lb	kg			
1/2	15	5-15/16	150	—	—	7-15/16	200	6-7/8	176	15-3/4	398	14-1/4	362	6-3/4	170	9-5/8	244	34	14	—	—	6.5	
3/4	20	5-15/16	150	—	—	7-15/16	200	6-7/8	176	15-3/4	398	14-1/4	362	6-3/4	170	9-5/8	244	34	14	—	—	9	
1	25	6-5/16	160	—	—	8-15/16	226	7-1/16	179	15-15/16	404	14-7/16	367	6-15/16	175	10	254	44	19	—	—	12	
1-1/4	32	7-1/8	180	—	—	8-15/16	226	7-7/16	188	17-1/8	434	15-1/8	384	7-5/8	192	11-1/8	283	51	22	—	—	19	
1-1/2	40	7-1/8	180	—	—	8-15/16	226	7-7/16	188	17-1/8	434	15-1/8	384	7-5/8	192	11-1/8	283	51	22	—	—	22	
2	50	9-1/8	230	8-9/16	217	10-15/16	276	7-11/16	195	19-5/8	498	16	406	8-1/2	216	12-5/8	321	75	33	81	36	38	
2-1/2	65	—	—	10-15/16	278	13-13/16	352	8-5/16	211	21-3/4	552	17-5/16	440	9-13/16	251	14-3/4	375	—	—	142	65	66	
3	80	—	—	11-3/4	298	13-13/16	352	8-3/4	222	22-5/8	575	17-15/16	456	10-7/16	264	15-3/4	400	—	—	155	69	78	
4	100	—	—	13-1/2	343	15-13/16	401	9-7/16	239	25-15/16	658	20-1/8	511	12-5/8	321	19-1/4	489	—	—	247	112	116	

\*50% reduced port available for sizes 1/2" - 4". The C<sub>v</sub> value should be divided by 2 to get reduced port C<sub>v</sub>.

For capacities see page 3.



All dimensions and weights are approximate. Use certified print for exact dimensions. Design and materials are subject to change without notice.

### For Steam

Armstrong's OB-2000L is a high performance externally piloted temperature regulator for large capacity, low pressure applications. It is self-actuated and requires no external energy source. Capillary units mount in any position

and can be easily disconnected and interchanged, offering easy installation and maximum application flexibility. Available in sizes 1/2" through 4" with six temperature ranges and three capillary lengths.

OB-2000L Specifications					
Application	Inlet Pressure psig (bar)	Reduced Pressure psig (bar)	Temperature Ranges °F (°C)	Temperature Accuracy °F (°C)	Capillary Lengths feet (meters)
Steam	5 - 15 (.3 - 1)	3 (.21)	18 - 59 (-8 - 15) 50 - 97 (10 - 36) 86 - 144 (30 - 62) 131 - 201 (55 - 94) 176 - 260 (80 - 127) 239 - 361 (115 - 183)	±2 (±1) From Set Point	*6-1/2 (2) 9-1/2 (3) 16-1/2 (5)

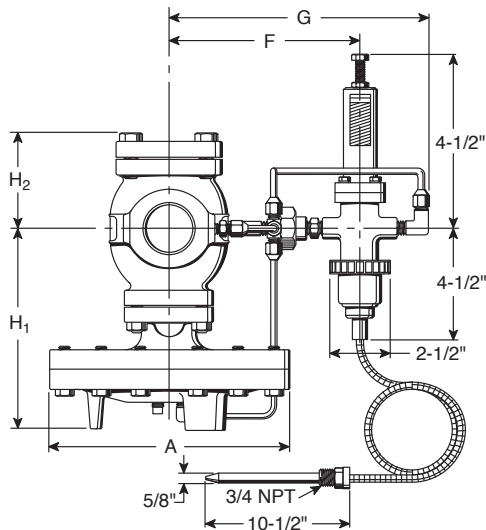
\*Standard length.

Note: If desired set temperature is in temperature range overlap, select lower range.

OB-2000L Dimensions and Weights																				
Size		Face-to-Face "L"				H <sub>1</sub>		H <sub>2</sub>		A		F		G		Weight				C <sub>v</sub>
		NPT		150#												NPT		150#		
in	mm	in	mm	in	mm	in	mm	in	mm	in	mm	in	mm	in	mm	lb	kg	lb	kg	
1/2	15	5-15/16	150	—	—	6-3/4	170	2-15/16	74	7-15/16	200	6-5/8	169	8-3/4	222	31	15	—	—	6.5
3/4	20	5-15/16	150	—	—	6-3/4	170	2-15/16	74	7-15/16	200	6-5/8	169	8-3/4	222	31	15	—	—	9
1	25	6-5/16	160	—	—	6-15/16	175	3-1/16	76	8-15/16	226	6-7/8	174	8-7/8	226	39	19	—	—	12
1-1/4	32	7-1/8	180	—	—	7-5/8	192	3-9/16	90	8-15/16	226	7-1/8	182	9-1/4	235	47	22	—	—	19
1-1/2	40	7-1/8	180	—	—	7-5/8	192	3-9/16	90	8-15/16	226	7-1/8	182	9-1/4	235	47	22	—	—	22
2	50	9-1/8	230	8-9/16	217	8-1/2	216	4-1/16	103	10-15/16	276	7-7/16	189	9-1/2	242	71	33	77	36	38
2-1/2	65	—	—	10-15/16	278	9-13/16	251	4-7/8	122	13-13/16	352	8-1/8	206	10-1/8	259	—	—	138	63	66
3	80	—	—	11-3/4	298	10-7/16	264	5-3/8	135	13-13/16	352	8-9/16	217	10-5/8	270	—	—	149	69	78
4	100	—	—	13-1/2	343	12-5/8	321	6-9/16	167	15-13/16	401	9-1/4	234	11-1/4	287	—	—	234	107	116

\*50% reduced port available for sizes 1/2" - 4". The C<sub>v</sub> value should be divided by 2 to get reduced port C<sub>v</sub>.

For capacities see page 3.



All dimensions and weights are approximate. Use certified print for exact dimensions. Design and materials are subject to change without notice.

# OB-2000L



## For Steam

OB-2000L Sensor and Accessory Specifications					
Capillary Material	Capillary Temperature Ranges °F (°C)	Bulb Material	Bulb Connection	Thermal Well Material	Thermal Well Connection
Copper Capillary Tube With 304 Stainless Steel Armor Shield	18 - 59 (-8 - 15) 50 - 97 (10 - 36) 86 - 144 (30 - 62) 131 - 201 (55 - 94) 176 - 260 (80 - 127) 239 - 361 (115 - 183)	Nickel Plated Copper Bulb	3/4" (20 mm) NPT	Brass* 304 Stainless Steel*	1" (25 mm) NPT

\*Standard. Other material available upon request. See page PTC-41 for dimensions of well.

NOTE: Capillary can withstand a maximum of 36°F (20°C) above rated range.

NOTE: If desired set temperature is in temperature range overlap, select lower range.

OB-2000L Materials					
OB-2000L	Body Material	Seat Type & Material	Valve Material	Connection	Maximum Temperature °F (°C)
Main Valve	Ductile Iron ASTM A536	Single Seat Stainless Steel AISI 420	Stainless Steel AISI 420	NPT 150 lb Flanged	450 (232)
Temperature Pilot Valve	Bronze ASTM B584			1/4" (6 mm) NPT	

# GP-2000L, OB-2000L

## Capacities for Steam Service

GP-2000L and OB-2000L Steam Capacities																					
		lb/hr									kg/hr										
Inlet	Outlet	Connection Size									Inlet	Outlet	Connection Size								
		in											mm								
psig		1/2	3/4	1	1-1/4	1-1/2	2	2-1/2	3	4	bar	15	20	25	32	40	50	65	80	100	
5	2	218	277	316	495	594	1,100	1,782	1,881	3,135	0.34	0.14	99	126	143	225	269	499	808	853	1,422
10	7	161	223	297	471	545	942	1,635	1,933	2,874	0.69	0.48	73	101	135	214	247	427	742	877	1,304
	3	356	435	475	812	920	1,518	2,574	2,772	4,598		0.21	161	197	215	368	417	689	1,168	1,257	2,086
15	12	178	246	328	519	601	1,038	1,803	2,131	3,169	1.03	0.83	81	112	149	235	273	471	818	966	1,437
	8 3	261 416	362 482	483 594	764 970	885 1,168	1,528 1,694	2,654 3,069	3,137 3,366	4,665 5,643		0.21	119 189	164 219	219 269	347 440	401 530	693 768	1,204 1,392	1,423 1,527	2,116 2,560

Note: For reduced port capacity, please divide capacity by 2.

