



Water Temperature Control - Recirculation Systems

Digital

The Brain® Model DRV50

DRV50 Digital Recirculation Valve (DRV) designed specifically to be the primary water temperature controller in a continuously pumped circulating hot water system.

Digital technology provides enhanced water temperature control accuracy which resists zero system demand “Temperature Creep” without the use of a manual throttling valve or a temperature activated pump shut-off device (aquastat).

Operational Specifications

- +/-2°F water temperature control at points of use 25' downstream during demand
- +/-2°F water temperature control at the DRV during zero system demand “idling” periods
- 2°F minimum valve inlet to outlet temperature requirement (system recirculation temperature loss)
- Automatic shutoff of hot water flow upon cold water inlet supply failure
- Automatic shutoff of hot water flow in the event of a power failure
- Programmable set point range of 81-158°F (27-70°C)
- Programmable thermal disinfection mode
- Programmable 1st level hi/lo temp alarm display
- Programmable temperature error level for safety shutdown

Technical Specifications (DRV80)

- 100-240 V AC
- Polymer Electronics Enclosure
- Stainless Steel Valve Construction
- Lead Free compliant
- Maximum inlet HW supply temperature 185°F (85°C)
- Minimum Circulation Flow – 10 GPM/38 LPM
- Minimum System Draw Off - 0
- ASSE 1017, CSA B125 and CE Certified
- Operational water pressure of 10 -150 psig
- Display in °C or °F
- Shipping weight 23 lbs (10 kg)

Connectivity

SPCO Relay Outputs – Relay which is energized during operation.

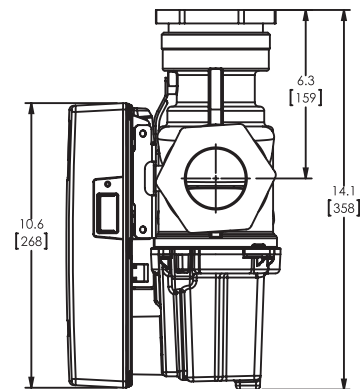
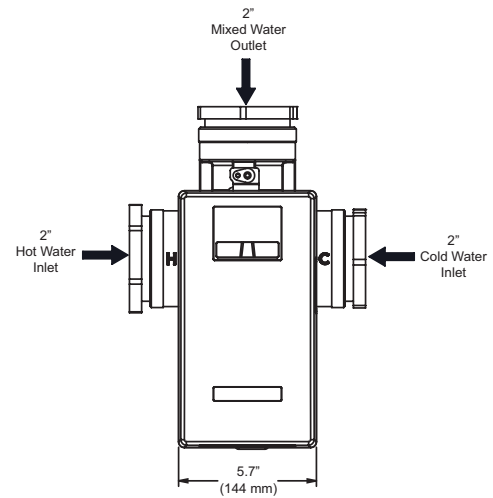
LCD Display – Provides information on set point, delivered temperature, error codes and alert conditions.

RS485 Serial Port – Connects the DRV to either BrainScan or Modbus.

BrainScan® – BAS interface for Modbus, Bacnet™ or LonWorks™ plus operates as a web server.

Modbus – DRV can be configured to communicate directly with Building Automation Systems (BAS) using Modbus protocols.

For a submittal drawing, refer to D40864.



Recirculation Systems - Digital (gpm)							
Model	Pressure Drop (psi)				Minimum System Draw-Off	Maximum Flow @7.5 ft/sec.	C _v
	5	10	15	20			
DRV50	94	133	163	188	0	73	42

All dimensions and weights are approximate. Use certified print for exact dimensions. Design and materials are subject to change without notice.